

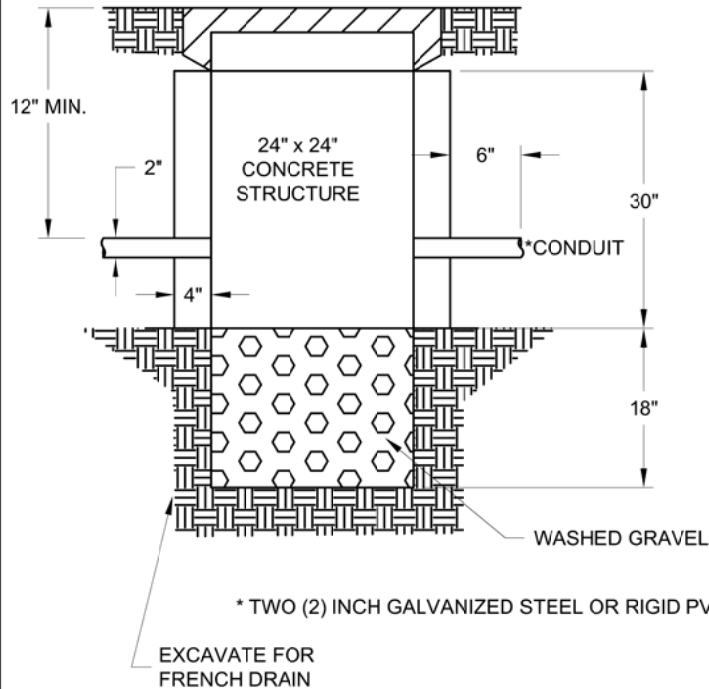
TYPICAL STREET LIGHT DETAIL

HAND HOLE

CAST IRON FRAME AND LID (MUST BE STAMPED "STREET LIGHTING") NEENAH R-66600-KH OR APPROVED EQUAL



FRAME AND COVER



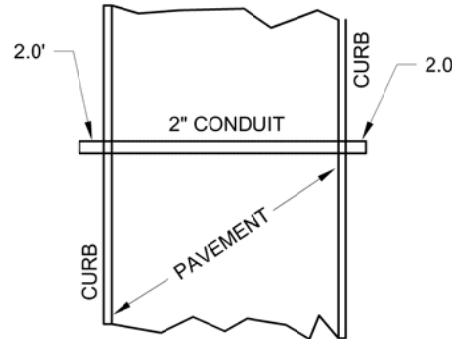
* TWO (2) INCH GALVANIZED STEEL OR RIGID PVC.

EXCAVATE FOR FRENCH DRAIN

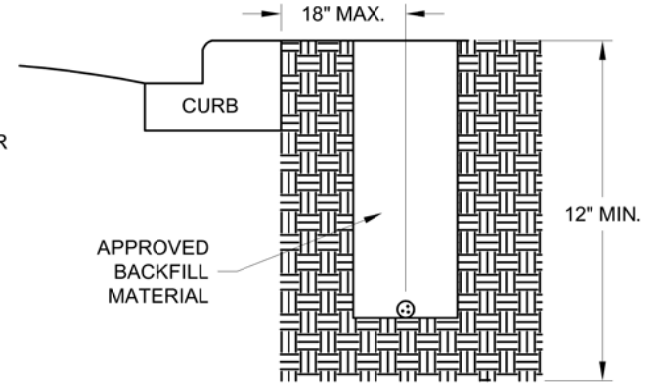
TYPICAL STREET CROSSING

TWO (2) INCH GALVANIZED STEEL OR RIGID PVC CONDUIT WILL BE USED WHERE CABLE DUCT CROSSES UNDER ANY EXISTING OR PROPOSED IMPROVEMENTS. (SUCH AS STREETS, DRIVES, WALKS, ETC.)

THE GALVANIZED STEEL CONDUIT WILL EXTEND TWO (2) FEET MINIMUM BEYOND ANY EXISTING OR PROPOSED IMPROVEMENTS.



TRENCH DETAIL



POLE TO POLE

1" to 2" DUCT CONTAINING:
MIN. 1- NO. 6 AWG THHN GROUNDWIRE
MIN. 2- NO. 6 AWG STANDARD COPPER WIRE CONDUCTORS

SERVICE FEED FROM C.E.

1-1/4" to 2" PLASTIC CABLE DUCT OR GALVANIZED STEEL CONDUIT CONTAINING: THHN COPPER WIRE

NOTES: ALL CONDUCTORS MUST MEET MINIMUM THHN SPECIFICATIONS

CITY OF WHEATON	
DESIGN DETAILS AND STANDARDS	
FIGURE # 35	
DATE: 03-15-16	FILE NAME: Street Light Detail Page 2.dwg