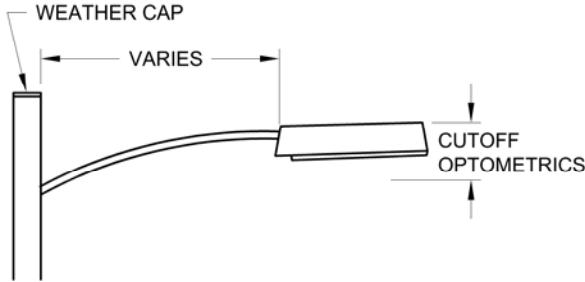


TYPICAL STREET LIGHT DETAIL

HIGHWAY



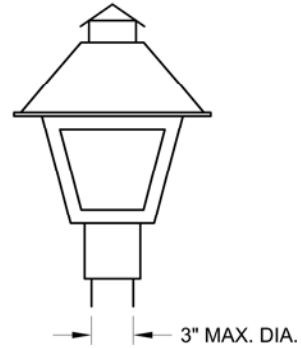
LUMINAIRE

150/250/310 watt HPSV as required McGraw Edison (Unidor series) UUI284, UUI265 or approved equal.

POLE AND MAST ARM

Mast arm mounted street light
-mounting height = 25.0'
Hapco 21-293 plain base (single arm) or approved equal.

RESIDENTIAL

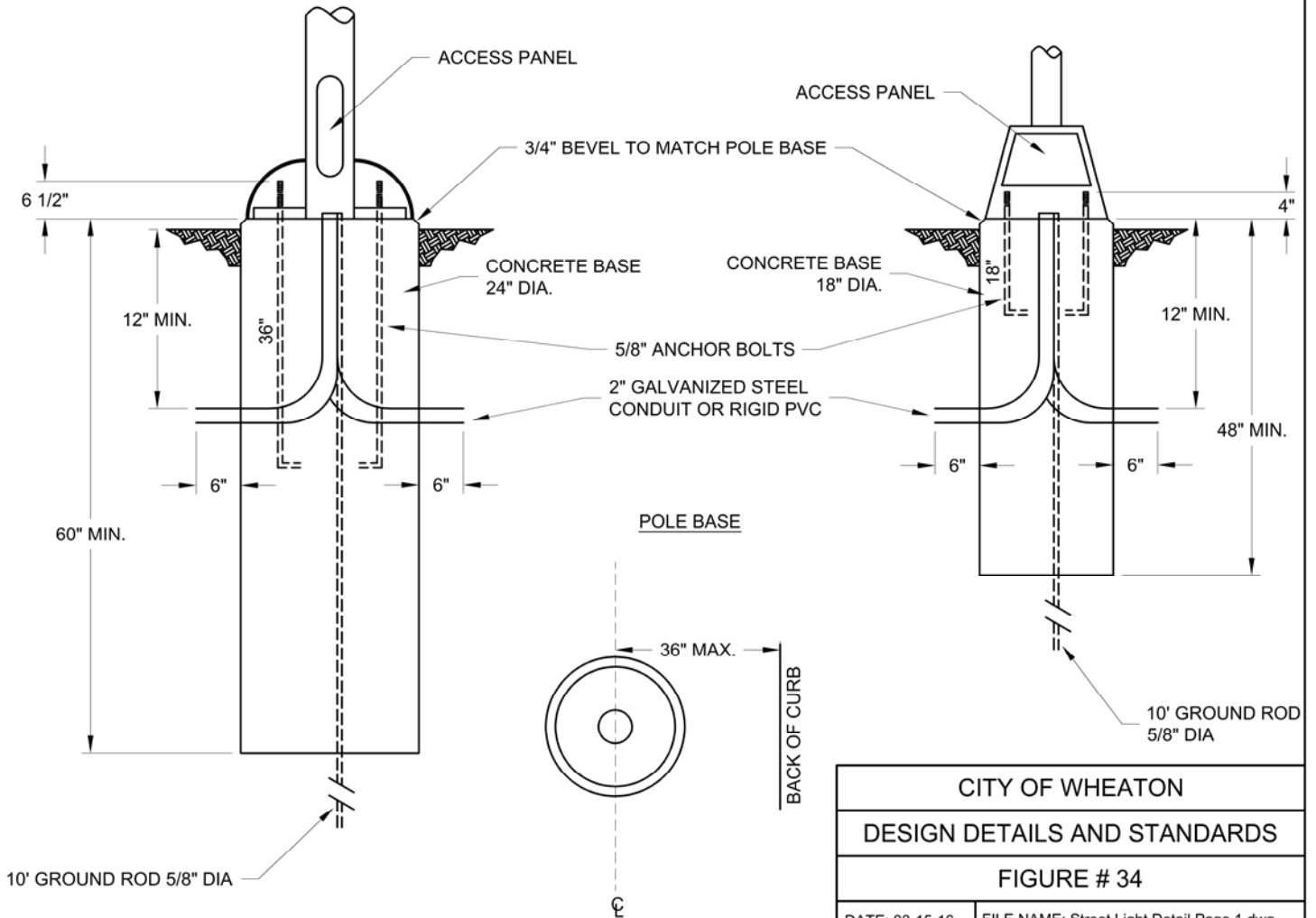


LUMINAIRE

40 watt LED
Cyclone :CL41T4-FLAF-GAL-5-40W-4K-120-EA1-DAP-F2AP-CP4091-R30-RAL9005TX or approved equal.

POST OR POLE

Post mounted street light
-mounting height = 14.0'
Hapco 77-005 McGraw Edison PA-4002, or approved equal.



CITY OF WHEATON

DESIGN DETAILS AND STANDARDS

FIGURE # 34

DATE: 03-15-16

FILE NAME: Street Light Detail Page 1.dwg