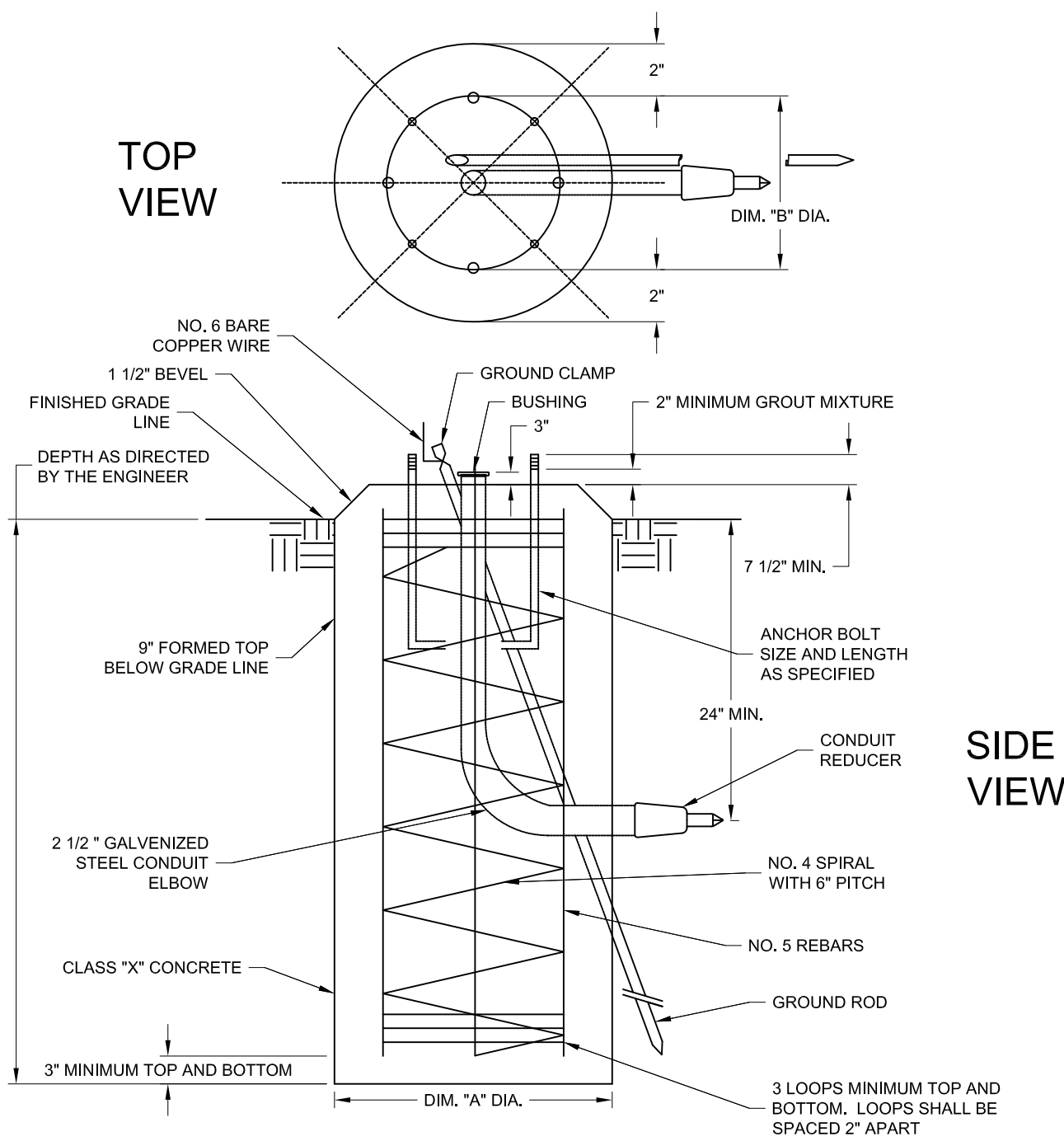


TYPE "E" FOUNDATION - FOR POLES IN EXCESS OF TWENTY (20') FEET



MAST ARM LENGTH	DIM. "A"	Dim. "B"	NUMBER OF NO. 5 REBARS	FOUNDATION DEPTH
LESS THAN 30'	24"	20"	6	11' - 0" *
30' AND LONGER	30"	26"	8	11' - 0" *

*NOTE: THIS DEPTH IS TO BE USED FOR AVERAGE COHESIVE SOIL CONDITIONS (STIFF CLAYS, SANDY CLAYS) AND WITH MINIMUM $Q_{u-1.0}$ TONS/SQ. FT. " Q_u " BEING THE AVERAGE VALUE OF HAND PENETROMETER READINGS AT VARIOUS DEPTHS OF THE SHAFT AS DETERMINED BY THE ENGINEER AT TIME OF DRILLING OPERATIONS OR PREVIOUS SOIL INVESTIGATION.

CITY OF WHEATON	
DESIGN DETAILS AND STANDARDS	
FIGURE # 40	
DATE: 03-15-16	FILE NAME: Type E Foundation.dwg