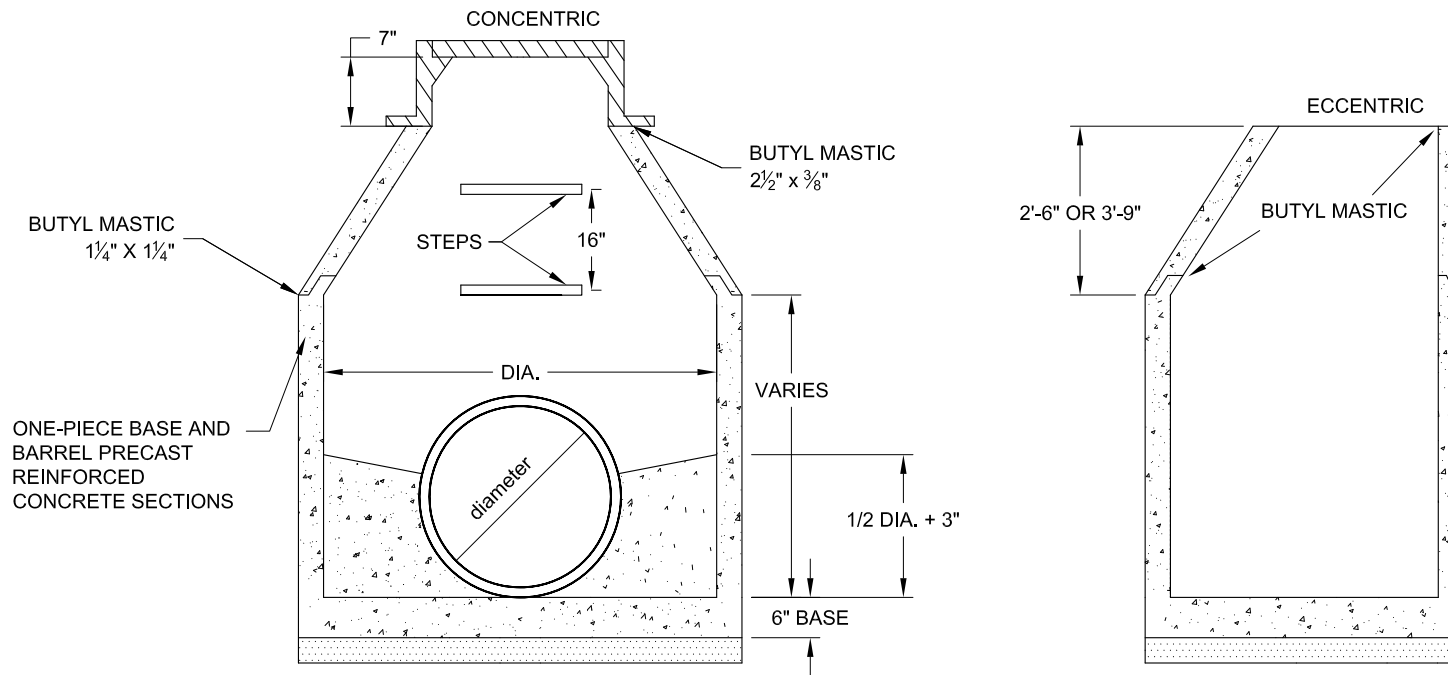


# TYPE "A" STORM SEWER MANHOLE



## NOTES:

1. Manhole castings
  - A. In paved and parkway areas Neenah R-1772-C (380 lbs.) or an approved equal product with a solid lid as allowed by the City Engineer. EJIW 1022-3 (370 lbs.) will not be accepted.
  - B. In back lot areas Neenah R-1772-B (325 lbs.) or EJIW 1022-2 (330 lbs.) Either with solid lid. OR Neenah R-4340-B (open lid) or EJIW 6527 (open lid)
2. All lids must be stamped "City of Wheaton Storm"
3. Manholes to have ONE piece integral base and barrel section.
4. Manholes to be a minimum 4' diameter for sewers 18" diameter or less, and 5' diameter for sewers larger than 18" diameter and less than 48" diameter.
5. Manholes 4' in diameter which exceed a depth of 4' shall have steps to be coated with polypropylene plastic, "Press Fit" type installation. Steps shall be 16" apart on center.
6. All Manholes to have chimney seal collars.
7. All joints between barrel sections shall be sealed with flexible butyl mastic material 1 1/4" wide by 1 1/4" thick. All joints between riser rings and frames to be sealed with flexible butyl mastic material 2 1/2" wide and 3/8" thick.
8. When shimming is required in street areas, beveled rubber riser rings shall be used. BRICK SHIMMING OR MORTAR IS NOT ALLOWED.
9. The 4" base shall be made of poured in place Class SI concrete or precast with 4" aggregate cushion.
10. The maximum amount of adjustment for frame elevation is 8" with 2 rubber rings.
11. When an eccentric cone is used:
  - A. If the Manhole is of 4' dia. then the cone shall be 2'-6" in height.
  - B. If the Manhole is of 5' dia. then the cone shall be 3'-9" in height.

CITY OF WHEATON

DESIGN DETAILS AND STANDARDS

FIGURE # 21

DATE: 03-15-16

FILE NAME: Type A Storm Sewer .dwg