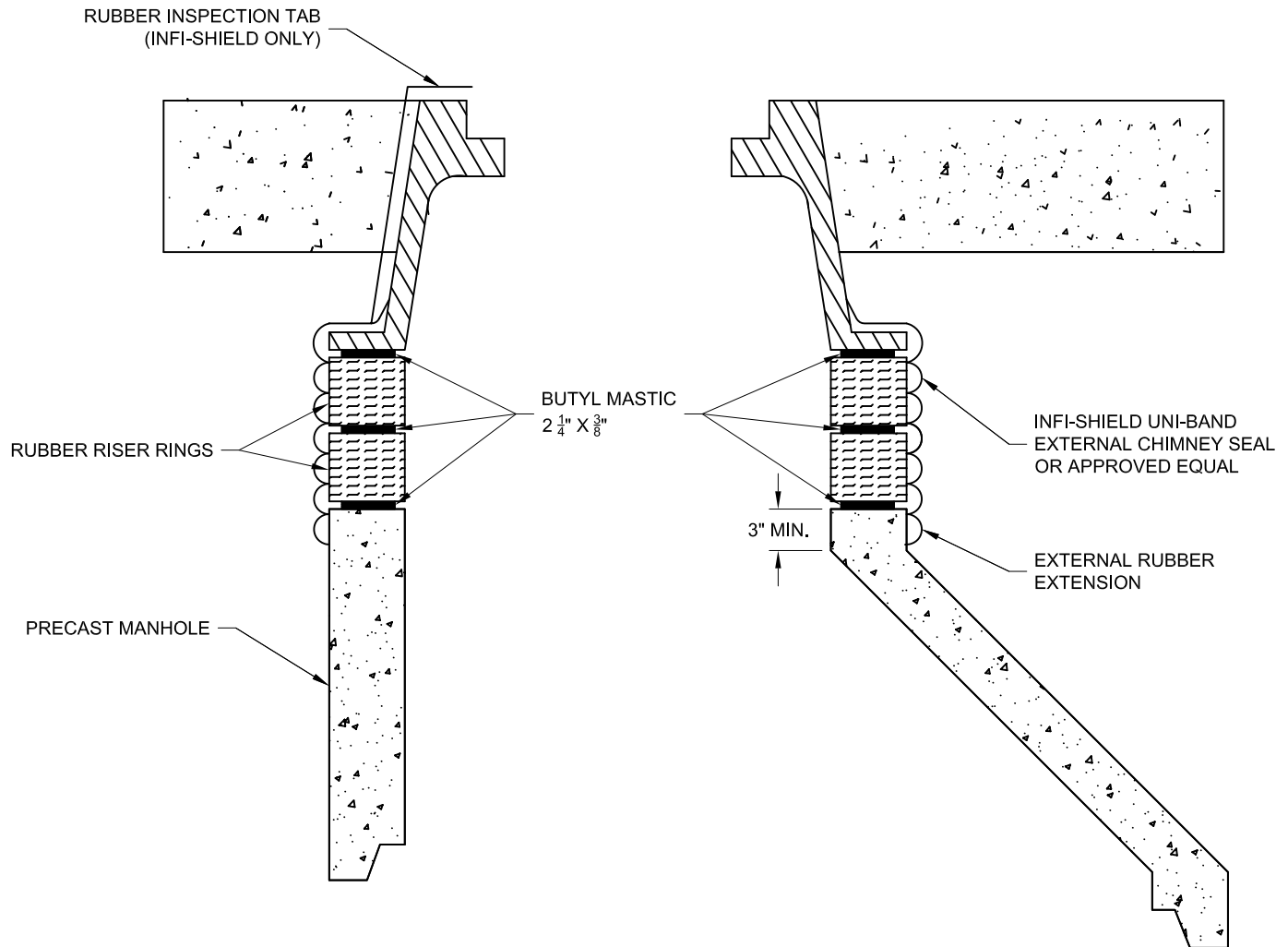
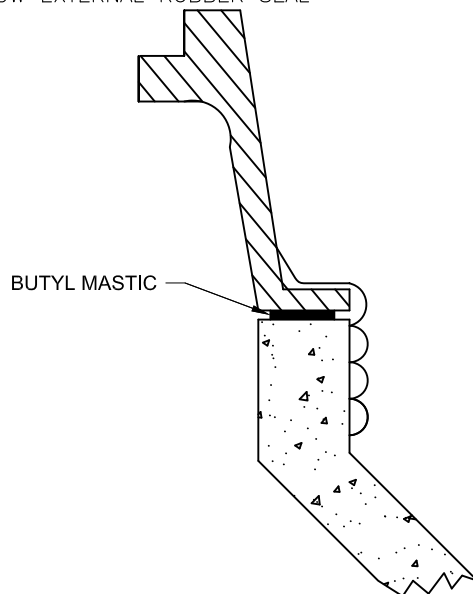


SANITARY MANHOLE EXTERNAL CHIMNEY SEAL



NARROW EXTERNAL RUBBER SEAL



TO SPAN CHIMNEY HEIGHTS OF:
 0-3" - NARROW (6") SEAL ONLY
 3-6.0" - STANDARD (9") SEAL ONLY
 6.5-12" - STANDARD SEAL + EXTENSION
 12" - SEAL + MULTIPLE EXTENSIONS

Must meet ASTM C-923, A240, F593, 594,
 TYPE 304 or approved equal.

Maximum adjustment of 8" using 2 rings.

CITY OF WHEATON	
DESIGN DETAILS AND STANDARDS	
FIGURE # 12	
DATE: 03-15-16	FILE NAME: Sanitary Manhole External Chimney Seal.dwg