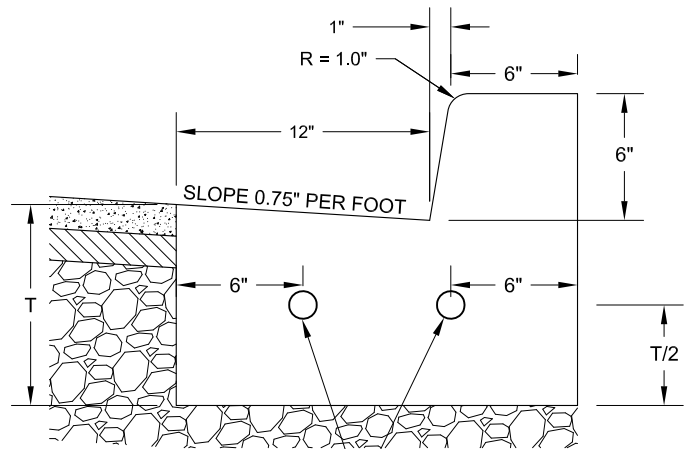


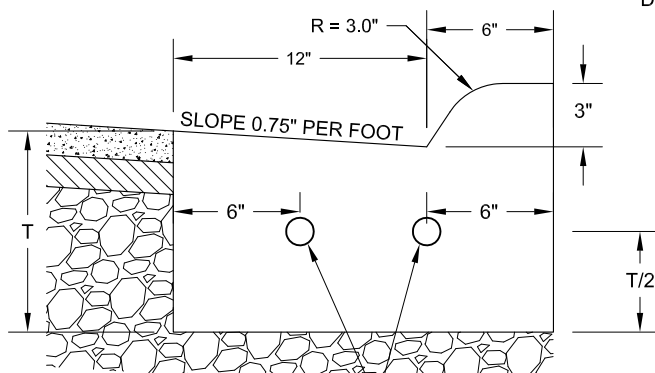
CURB & GUTTER SPECIFICATIONS

TYPE B 6.12



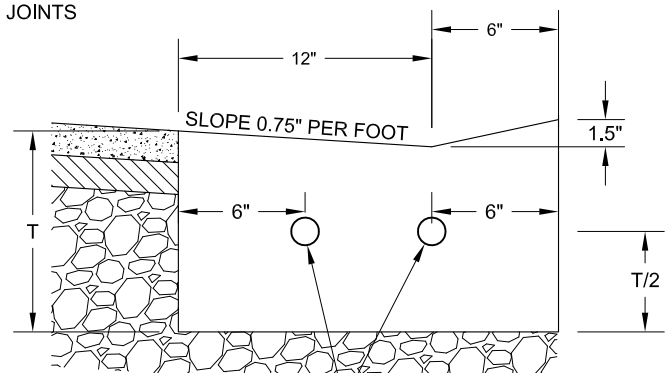
DOWEL BARS AT EXPANSION JOINTS

TYPE M 3.12



DOWEL BARS AT EXPANSION JOINTS

DEPRESSED CURB



DOWEL BARS AT EXPANSION JOINTS

NOTE:

1. TWO NO.6 STEEL DOWEL BARS WITH CAPS TO BE USED AT ALL EXPANSION JOINTS 100 ft. INTERVALS.
2. CONSTRUCTION JOINTS AT 25 ft. INTERVALS.
3. INSTALL THREE 3/8" REBAR AT ALL TRENCH CROSSINGS. BARS TO EXTEND TWO FEET BEYOND EDGE OF TRENCH AND HAVE A MINIMUM LENGTH OF 10 FT.
4. THE BASE COURSE WILL BE OF A DEPTH SUFFICIENT TO BRING THE CURB AND GUTTER TO THE PROPOSED GRADE.
5. THE BASE COURSE LOCATED UNDER THE CURB AND GUTTER WILL NOT BE MEASURED FOR PAYMENT, BUT SHALL BE INCLUDED IN THE UNIT PRICE BID FOR COMBINATION CONCRETE CURB AND GUTTER OF THE TYPE SPECIFIED.

T = THICKNESS OF PAVEMENT

CITY OF WHEATON	
DESIGN DETAILS AND STANDARDS	
FIGURE # 4	
DATE: 03-15-16	FILE NAME: Curb & Gutter.dwg